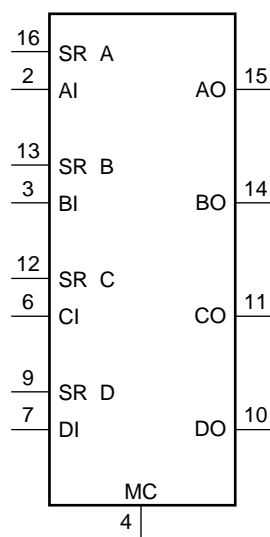
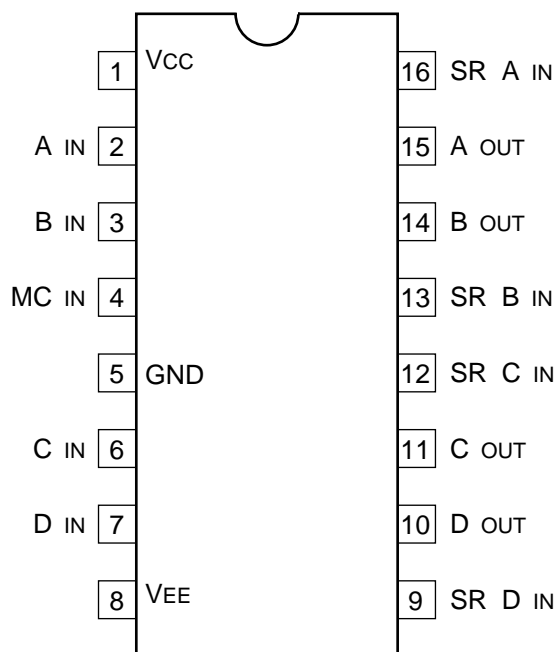


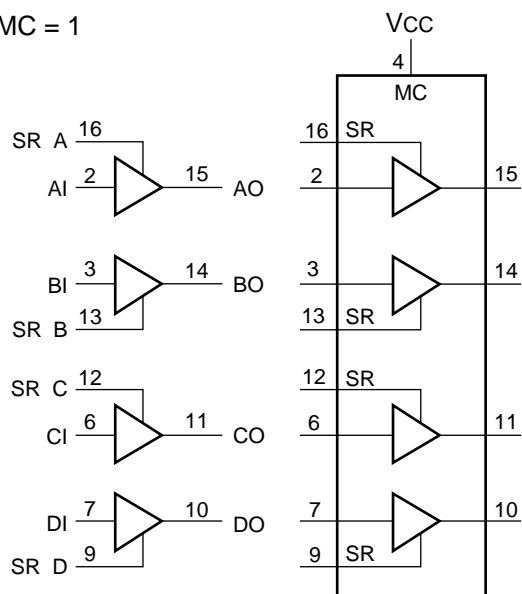
LINE DRIVER

—TOP VIEW—

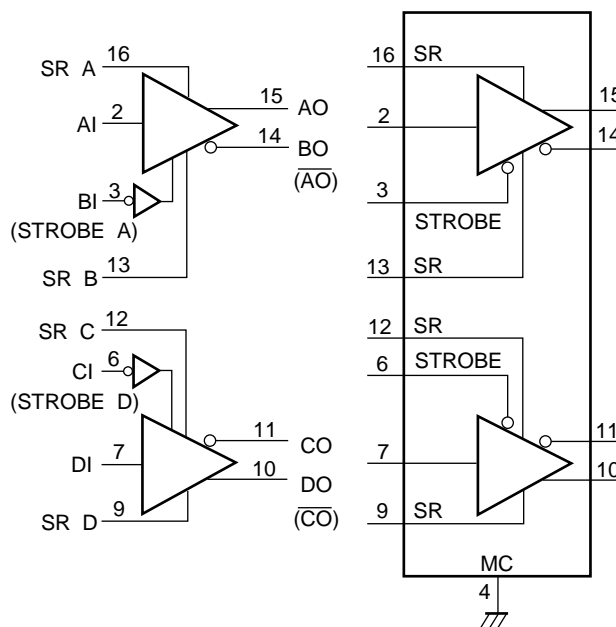


MC ; MODE CONTROL
SR ; SLEW RATE CONTROL

MC = 1



MC = 0



INPUTS		OUTPUTS
MC	A TO D	A TO D
1	0	0
1	1	1

INPUTS			OUTPUTS	
MC	STROBE	A & D	A & D	B & C
0	0	0	0	1
0	0	1	1	0
0	1	X	HI-Z	HI-Z

0 ; LOW LEVEL X ; DON'T CARE
1 ; HIGH LEVEL HI-Z ; HIGH IMPEDANCE